



Loaded with powerful features

Strength, durability, and performance are at the core of the newly refined Encore by Wascomat stacked washer/dryer. Built with professional grade components and loaded with powerful features, Encore combines innovative technology, energy efficiency, and proven Wascomat reliability for optimal results every time.

Encore Stacked Washer/Dryer Features

WASHER FEATURES:

- Extra large load drum — 22+ pound capacity
- 15,000+ cycle machine life design (tested at full load)
- Superb cleanability with 4 field adjustable wash programs
- Pump drain standard
- AC motor (no brushes)
- Professional 8-point suspension
- Saves up to 60% on water vs. top load washers
- Soft mount design for easy installation
- ENERGY STAR® Certified



DRYER FEATURES:

- Commercial grade construction
- Extra large load drum — 22+ pound capacity per pocket
- 7.7 cu. ft. drum
- Drum supported by five roller bearings for long life
- Fast drying
- Axial airflow ensures the shortest drying time
- Roller supported tumbler
- Easy to clean, heavy duty lint screen
- Extra large door opening for easy loading and unloading
- Large capacity can handle oversized loads with ease
- Space-saving design
- Easy to install

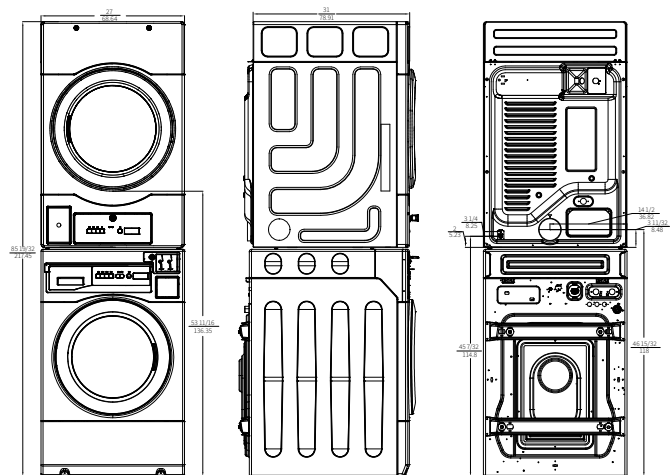
Available in Electric. Gas coming soon.



Encore Stacked Washer/Dryer Specs at a Glance

Wash Capacity	22 lb / 10 kg
Washer Cylinder Volume	3.5 cu ft / 98 liters
Dry Capacity	22 lb / 10 kg
Dryer Cylinder Volume	7.7 cu ft / 218 liters
Overall Height	85 19/32 in (217.45 cm)
Overall Width	27 in (68.64 cm)
Overall Depth	31 in (78.91 cm)
Depth w/ Door Open 90°	51 3/16 in (130 cm)

Specifications subject to change without notice.



Encore by Wascomat Stacked Washer/Dryer Specifications

Factory Setting Water Consumption*	14 gal per cycle
Motor	1/3 HP
To run washer/dryer stack	2x15A for Washer/Gas Dryer 15A + 30A for Washer/Electric Dryer
Dryer Electrical (Gas)	120V/60Hz/1-phase
Dryer Electrical (Electric)	208-240V/60Hz/1-phase
Dryer Breaker/Fuse Req.	15A for Gas / 30A for Electric
Washer Electrical	120V/60Hz/1-phase
Washer Breaker Req.	15A
Washer Cylinder Volume	3.5 cu ft (98 liters)
Dryer Cylinder Volume	7.7 cu ft (218 liters)
Washer Cylinder Diameter	21 5/8 in (550 mm)
Washer Cylinder Depth	18 1/4 in (464 mm)
Dryer Cylinder Diameter	26 in (660 mm)
Dryer Cylinder Depth	20.8 in (528 mm)
Wash Capacity (Dry Weight)	22 lbs (10 kg)
Washer Door Opening	15 in (380 mm)
Dryer Door Opening	17 in (431.8 mm)
Airflow (Gas & Electric)	192 cfm
Electric Heating (240VAC)	5.0 kW
Gas Heating	19,000 BTU/hr
Gas Connection	3/8 in MNPT
Wash Speed	45 RPM
Washer Maximum RPM**	1,050 RPM
Washer Maximum G-force**	300 G
Dryer Tumbling Speed	50 rpm
Dryer Exhaust Connection	4 in diameter
Washer Inlet Hose	2 3/8 in (hoses included)
Water Pressure	10-90 psi (70-600 kPa)
Drain Hose	1 in (25.4 mm)
Approx. Net Weight – Washer	299 lbs (136 kg)
Approx. Shipping Weight – Washer	314 lbs (142kg)
Approx. Net Weight – Dryer	158.7 lbs (72 kg)
Approx. Shipping Weight – Dryer	176 lbs (80 kg)

Product Dimensions

Overall Height	85 19/32 in (217.45 cm)
Overall Width	27 in (68.64 cm)
Overall Depth	31 in (78.91 cm)

* Approximately, based on one wash and two rinses.

** **NOTE:** the correct measurement of extraction efficiency is G-force, not RPM. A higher RPM does not mean greater extraction, which depends on cylinder diameter.

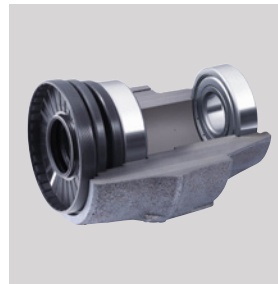
Refer installation and servicing to qualified, licensed personnel. Always read Installation and Operating Manuals and consult local codes before installation. Protect machines with properly rated circuit breakers ONLY. Warranty void if not properly installed.

Specifications subject to change without notice. Laundrylux assumes no responsibility for errors or omissions in this information.



8-Point Suspension

The robust 8-point suspension features advanced technology to keep loads in balance, eliminate oversuds, and finish the cycle. Premium counterweights are constructed of solid steel — no concrete — providing additional strength and enhancing the longevity of the machine.



Heavy Duty SKF Bearings

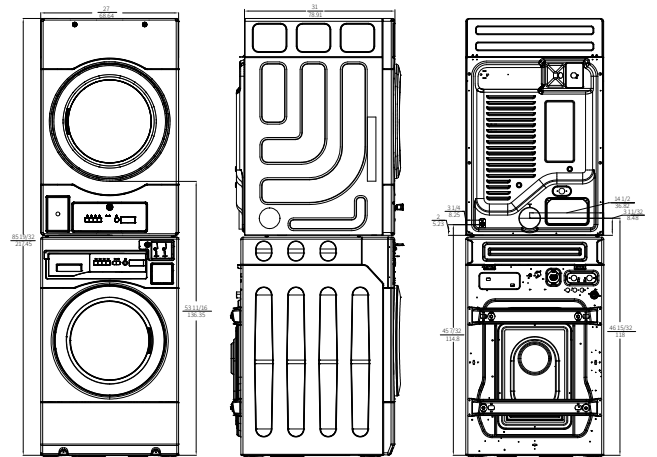
Two commercial grade SKF bearings are sealed for maximum protection. Three individual seals with 5 lips provide a water-tight barrier around the drive shaft to protect the bearings from damaging moisture.



Axial Airflow

The highly efficient axial airflow system and tight construction results in extremely low energy usage and faster dry times.

Encore Stacked Washer/Dryer Product Dimensions



Laundrylux

800.645.2204 • laundrylux.com

Laundrylux • 461 Doughty Blvd., Inwood, NY 11096-0338

Sales & Administration: 516-371-4400 • F 516-371-4204 • sales@laundrylux.com

Parts: 516-371-2000 • F 516-371-4029 • parts@laundrylux.com

Tech Support: 516-371-0700 • F 516-371-4029 • service@laundrylux.com

En Mexico: Llame gratis a este numero 001-800-010-1010